

## Fleet Management System

### Features

- Intel® Atom® E3826 1.46 GHz CPU
- Powered by Windows® Embedded Standard 7
- Supports 2.5" SATA 3Gb/s SSD
- Built-in GPS function
- Built-in VGA output and HDMI output
- Dual SIM slot
- Optional 3G/Wi-Fi/UHF reader modules
- Optional software compression video capture card



### Specifications

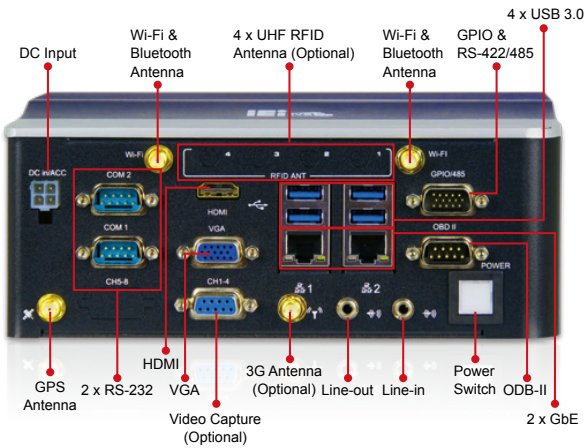
Model Name	IVS-100-BT		
Chassis	Color	Blue C	
	Dimensions (WxHxD) (mm)	200 x 76 x 150	
	System Fan	Fanless	
	Chassis Construction	Extruded aluminum alloy	
Motherboard	CPU	Intel® Atom™ processor E3826 (dual-core, 1.46 GHz, 7W TDP)	
	Chipset	SoC	
	System Memory	2 x 204-pin DDR3L SO-DIMM slot, 2 GB pre-installed (system max. 8GB)	
Storage	Hard Drive	1 x 2.5" SATA 3Gb/s HDD/SSD drive bay	
	SD Card	1 (supports SD 2.0, max. 32 GB)	
Communication	WLAN	PCIe Mini Wi-Fi 802.11b/g/n (optional)	
	Bluetooth	Bluetooth 2.1 (combined with WWAN optional module)	
	WWAN	PCIe Mini, WCDMA/HSDPA/HSUPA (optional)	
	RFID	UHF module, 902 MHz ~ 928 MHz operating band (optional)	
	GPS	On board GPS	
I/O Interfaces	USB 3.0	4	
	Ethernet	2 x 10/100/1000 Mbps RJ-45 by RTL8111E PCIe GbE	
	COM Port	2 x DB-9 RS-232 1 x DB15 GPIO & RS-422/485	
	Digital I/O	8-bit digital I/O (4-bit input, 4-bit output)	
	CAN-bus/OBD-II	1 x DB-9 OBD-II/J1939	
	Display	1 x VGA, 1 x HDMI	
	Resolution	HDMI: Up to 1920 x 1080 @60 Hz VGA: Up to 1920 x 1080 @60 Hz	
	Audio	1 x Line in, 1 x Line out	
	SIM	2 x on board SIM card slot	
	Antenna	2 x Wi-Fi/BT, 1 x WWAN, 1 x GPS, 4 x UHF	
	Other	4-channel SC video capture card (optional)	
	Expansions	PCI	1 x PCI-104
		PCIe Mini	1 x Full-size PCIe Mini (reserved for WWAN)
1 x Full-size PCIe Mini (reserved for capture card module)			
1 x Half-size PCIe Mini (reserved for WLAN)			
Power	Power Input	Cigarette lighter power cable, DC 9 V~30 V	
	Consumption	12 V @ 3.2 A (Intel® Atom™ E3826 with 2 GB DDR3 memory)	
Reliability	Mounting	VESA 100	
	Operating Temperature	-20°C ~ 60°C with air flow	
	Storage Temperature	-30°C ~ 70°C	
	Humidity	10% ~ 95%, non-condensing	
	Operating Shock	Half-sine wave shock 5G, 11ms, 3 shocks per axis	
	Operating Vibration	MIL-STD-810F 514.5C-2 (with SSD)	
	Weight (Net/Gross)	2.1 kg/3.6 kg	
OS	Safety/EMC	CE/FCC/E-Mark	
	Supported OS	Microsoft® Windows® Embedded 8, Microsoft® Windows® Embedded Standard 7 E	

## Fleet Management System

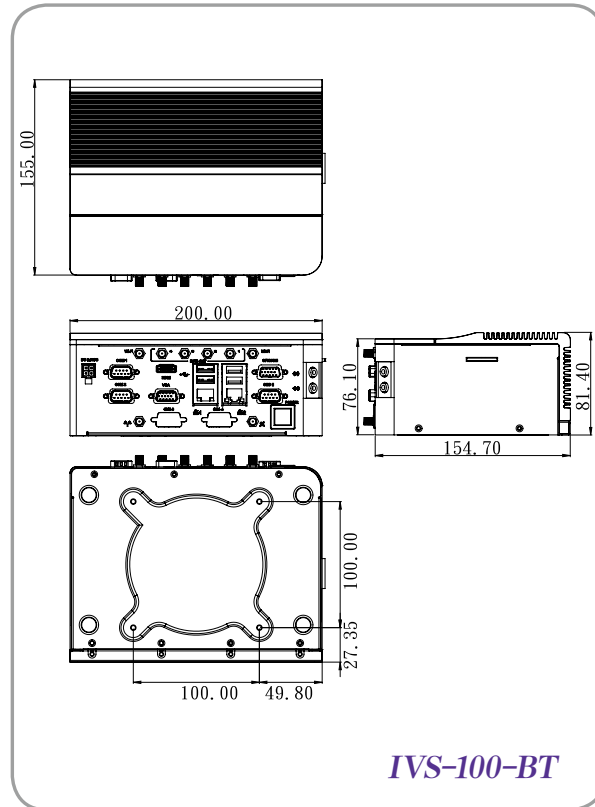
### Fully Integrated I/O

### Dimensions (Unit: mm)

#### Front view



#### Side view



### Ordering Information

Part No.	Description
IVS-100-BT-E3/2G-R10	Fanless embedded system with Intel® Atom™ E3826 1.46 GHz processor, 7W TDP, pre-installed 2 GB DDR3L memory, two GbE LAN, one HDMI, one VGA, one 2.5" SATA HDD bay, on-board GPS, RoHS

### Options

Item	Part No.	Description
Power adapter	IVIPOWER-4PIN-R10	Power adapter with 4-pin transfer cable, RoHS
Cigarette lighter power cable	32002-004000-100-RS	Round cable, power cable, car cigarette lighter cable, 2000 mm, 18 AWG, (A) cigarette lighter (5 A 250 V)+ψ3 green LED, (B) MOLEX 5557-0400 P=4.2, RoHS
OBD-II cable	32025-003400-100-RS	Round cable, OBD-II cable, 2000 mm, 24 AWG, (A) OBD-II 16P male, (B) D-sub 9P female, one piece package with label, RoHS
OS: Windows Embedded 7 (DVD-ROM)	IVS-100-WES7E-R10	OS image with Windows® Embedded Standard 7 E for IVS-100 Series, DVD-ROM, RoHS
Wireless kit	IVS-WIFI-KIT02-R10	1T1R Wi-Fi module kit for embedded system, IEEE802.11a/b/g/n/ac Wi-Fi with Bluetooth 4.0/3.0+HS, 1 x Wi-Fi module, 1 x Antenna, RoHS
WWAN kit	IVS-3G-KIT02-R10	3G module kit for embedded system, F260, 1 x 3G module, RoHS
UHF module	IVS-UHF01-R10	UHF RFID patch antenna, 915 MHz, only for United States
UHF RFID antenna (Patch Antenna 915 MHz)	AVL-2000PLUS-FCC01-R10	UHF RFID antenna module, patch antenna, 915 MHz, 8.5dBi, with RFID cable, LMR195, 10000 mm, SMA PLUG, RoHS
4-channel video capture card	IVS-SC01-R10	Video capture card, PCIe Mini card with 4-channel video capture, SC330N4 MC, RoHS
Dead reckoning box	IVI-DR-R10	IVI dead reckoning box, USB output

### Packing List

Item	P/N	Qty	Description
ACC power cable	32002-001900-100-RS	1	Round cable, power cable, 3000 mm, 16 AWG, (A) MOLEX 5557-04P P=4.2, SHANGHAI YING YU, RoHS
GPS/GSM antenna	32506-000100-100-RS	1	Integration antenna, GPS/GSM, RG 174, 5000 mm/5000 mm, PPF-5423SA5X-999, magnetic mount: φ55 mm x 22mm, 1575.42 MHz/850 MHz/900 MHz/1800 MHz/1900 MHz, 2 x SMA plug, RoHS
Utility CD		1	User manual and driver CD