

## Embedded System



### Features



- Intel® Atom™ E3845 processor (Quad core 1.91GHz)
- Rich I/O and fanless embedded PC
- I/O features
  - 1 x DVI-D, 1 x VGA, 1 x Line-out, 1 x MIC
  - 1 x USB3.0, 3 x USB2.0, 4 x serial ports
  - 1 x DC 12V out (4A), 2 x LANs
  - 8 x PoE (IEEE802.3af), 2 x SIM card slots
- With isolated ports
  - 4 in / 4 out Digital IO
  - COM1 / COM2
  - 1 x CAN bus
- Removable HDD tray
- Wide range temperature -30°C ~ 60°C (for wide temperature mSATA)
- Wide range voltage DC in 9~36V (support Ignition)

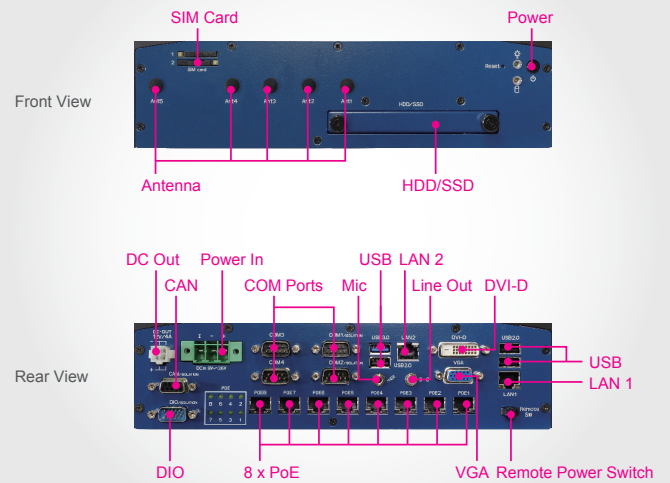
### Specifications



#### System

CPU Support	Intel® Atom™ E3845 CPU on board (Quad core 1.91GHz)
Memory Support	1 x DDR3L SO-DIMM. up to 8GB
Watchdog	1~255 seconds watchdog timer selectable
Drive Bay	1 x 2.5 inch SATA HDD or SSD drive space
Power Input	DC in 9~36V (with ignition)
Operating System	Windows 7, Windows 8
Expansion Slots	1 x mSATA slot 1 x full size mini-PCIe slot1 (mini-PCIe and SIM signal) 1 x full size mini-PCIe slot2 (mini-PCIe and USB signal) 1 x full size mini-PCIe slot3 (USB and SIM signal) 2 x SIM card slots
System Weight	3.5Kg
Dimensions	270 x 80 x 202.5mm (W x H x D)
Certifications	FCC / CE

#### System Front View & Rear View



#### I/O Ports (Front side)

Antenna Hole	5 x antenna holes
Driver Bay	1 x 2.5 inch SATA HDD or SSD driver space
SIM Slots	2 x SIM card slots Signal from full size mini-PCIe slot1 Signal from full size mini-PCIe slot3
LED	1 x power LED, 1 x HDD LED
Power On/Off	1 x power ON/OFF button

#### I/O Ports (Rear side)

Serial Ports	COM 1/2 for RS-232/422/485 with isolation (5KVrms) COM 3/4 for RS-232 and 5V/12V selectable
DVI	1 x DVI-D
VGA	1 x VGA
LAN	2 x GbE LANs, Wake-On-LAN, PXE LAN 1: Intel® I210IT LAN 2: Intel® I210IT
Audio	1 x Line-out, 1 x MIC
USB	1 x USB3.0, 3 x USB2.0
CAN Bus	1 x CAN bus with isolation (5KVrms)
Digital I/O	4 in / 4 out with isolation (5KVrms)
PoE	8 x PoE (IEEE 802.3af), Max.15.4W each port
Power Output	1 x 12V (4A) DC out
Power On/Off	1 x remote power switch

#### Environment

Operating Temp. (with airflow)	HDD: 0°C~45°C (32°F~113°F) with wide range temperature mSATA: -30°C~60°C (-22°F~140°F) (w/o audio)
Storage Temp.	-20°C~80°C (-4°F~176°F)
Humidity	20%~90%

#### Applications

- Automation
- Transportation
- Information