

## IPC Medical Panel PC

### Features

- 17"~19" multi-functional panel PC with touchscreen
- Powered by high-performance Intel® mobile Core™ i7/ i5/ i3 CPU with Intel® HM55 chipset
- System memory supports DDR3 SDRAM SO-DIMM up to 8 GB
- HDMI interface provides second display with vivid image quality
- 802.11a/b/g/n high speed wireless
- Dual gigabit Ethernet



### Specifications

Model		POC-17i	POC-19i
LCD Touch Specification	LCD Size (inch)	17"	19"
	Max. Resolution	1280 (W) x 1024 (H)	
	Brightness (cd/m <sup>2</sup> )	350	350
	Contrast Ratio	800:1	1000:1
	LCD Color	16.7M	
	Viewing Angle (H-V)	170°/160°	
	Touchscreen	5-wire resistive type	
System	CPU	Intel® mobile Core™ i7/i5/i3 CPU with Intel® HM55 chipset	
	Chipset	Intel® HM55	
	Memory	Two 204-pin 800/1066 MHz DDR3 dual-channel SO-DIMM (system max. 8GB)	
	I/O Ports	1 x RS-232 by DB-9 2 x GbE LAN by RJ-45 1 x HDMI port 1 x VGA port by DB-15 1 x Power switch	1 x RS-232 or RS-422/485 by DB-9 4 x USB connector 1 x Audio jack (line-out) 1 x Reset button 1 x Power jack
	Drive Bay	1 x 2.5" SATA HDD bay for SATA storage devices	
	Audio	AMP 3W + 3W (internal speaker)	
	LED Function	One power on/off LED on front panel	
	OSD Function	Five buttons (LCD on/off, Light +/-, Audio +/-)	
	Wireless	Wi-Fi	802.11a/b/g/n
Physical	Construction Material	Anti-bacteria plastic front frame	
	Mounting	Panel, Wall, Rack, Stand and Arm VESA 100 mm x 100 mm	Panel, Wall, Stand and Arm VESA 100 mm x 100 mm
	Net Weight	6.0 kg	6.2 kg
	Dimensions (WxHxD) (mm)	428 x 350 x 76	470 x 383 x 79
Environment	Operating Temperature (°C)	0°C~40°C	
	IP Level	IP 64 compliant front panel	
Power	Power Requirement	12V DC input	
	Power Adapter	96W medical power adapter: Input: 90V~264V AC; Output: 12V DC	
Certification	CE, FCC class B part 18, UL 60601-1, EN 60601-1		

## IPC Medical Panel PC

### Ordering Information

Part No.	Description	
17"	POC-17i-i7/2G/320G-R10	17" Medical Panel PC, with Core™ i7-620M 2.66GHz, 2 GB DDR3 RAM, 320 GB HDD, wireless 802.11a/b/g/n, touchscreen, power adapter, RoHS
	POC-17i-i5/2G/320G-R10	17" Medical Panel PC, with Core™ i5-520M 2.4GHz, 2 GB DDR3 RAM, 320 GB HDD, wireless 802.11a/b/g/n, touchscreen, power adapter, RoHS
	POC-17i-i3/2G/320G-R10	17" Medical Panel PC, with Core™ i3-350M 2.26GHz, 2 GB DDR3 RAM, 320 GB HDD, wireless 802.11a/b/g/n, touchscreen, power adapter, RoHS
19"	POC-19i-i7/2G/320G-R10	19" Medical Panel PC, with Core™ i7-620M 2.66GHz, 2 GB DDR3 RAM, 320 GB HDD, wireless 802.11a/b/g/n, touchscreen, power adapter, RoHS
	POC-19i-i5/2G/320G-R10	19" Medical Panel PC, with Core™ i5-520M 2.4GHz, 2 GB DDR3 RAM, 320 GB HDD, wireless 802.11a/b/g/n, touchscreen, power adapter, RoHS
	POC-19i-i3/2G/320G-R10	19" Medical Panel PC, with Core™ i3-350M 2.26GHz, 2 GB DDR3 RAM, 320 GB HDD, wireless 802.11a/b/g/n, touchscreen, power adapter, RoHS

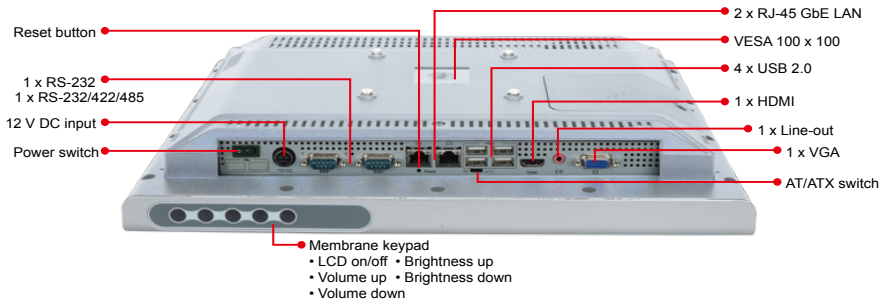
### IQ Mounting Options

Item	Part No.
Wall Mount Kit	AFLWK-19B
Arm	ARM-11-RS, ARM-31-RS
Stand	STAND-A19, STAND-A21-R10

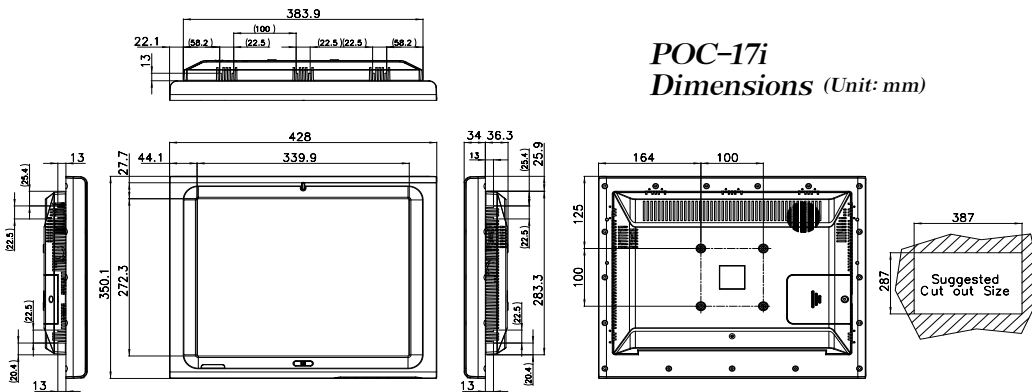
### Packing List

Item	Part No.	Q'ty	Description
Utility CD	7B000-000773-RS	1	Drivers and User Manual
Power Adapter	63040-010096-030-RS	1	PMP120-12-S; 90~264VAC Input ; 96W; 12VDC output
Power Cord	32000-000002-RS	1	European, 1830mm
Pen	43125-0002C0-00-RS	1	For Resistive Touch

### I/O Interface



### POC-17i Dimensions (Unit: mm)



### POC-19i Dimensions (Unit: mm)

