

IPC Panel PC



Features



- Intel® 3rd Gen. Core™ mobile i7/i5/i3 (rPGA-988) processor
- 1 x CFast slot for external storage or system boot up
- Riser card support 1 x PCIe (x4) or 1 x PCI slot
- Fanless and quiet design
- 4 x USB 3.0
- Front panel IP65 design
- Aluminum front bezel
- Supports wide range voltage DC in (9~36V)
- OS support: Windows XP / Windows 7 / Windows 8 / Windows 8.1 / Ubuntu 14.04
- Optional 802.11b/g/n Wi-Fi module
- RAID 0/1 (QM77 only)

Specifications



System

CPU Support	Intel® 3rd Gen. Core™ mobile i7/i5/i3 (rPGA-988) processor
Chipset	Intel® QM77/HM76
Memory Support	2 x 204 pin DDR3 SO-DIMM, support DDR3/DDR3L 1600/1333/1066 maximum up to 16GB/slot
Watchdog	1~255 seconds watchdog timer
Drive Bay	2 x 2.5" SATAIII HDDs, support RAID 0/1 (QM77 only)
Audio	High definition audio; 1 x Line-out / 1 x MIC
Power	DC in 9~36V
Front Bezel	Aluminum
IP65	Yes (front panel only)
Expansion Slots	1 x full size mini PCIe (for WLAN module and 3G module) 1 x SIM card slot 1 x CFast slot 1 x PCIe (x4) or 1 x PCI (10W max./slot) (option)
System Weight	7.5 Kg
Operating System	Windows XP / Windows 7 / Windows 8 / Windows 8.1 / Ubuntu 14.04
Dimensions	408 x 308 x 128 mm (W x H x D)
Mounting Support	VESA 100
Certifications	FCC / CE

Display

LCD	15" 1024 x 768 XGA 400nit LED backlight LCD
Touch Screen	(ELO) 5W analog resistive (USB interface)

Applications

- Automation
- Retail / Chain Store
- Information

I/O Ports

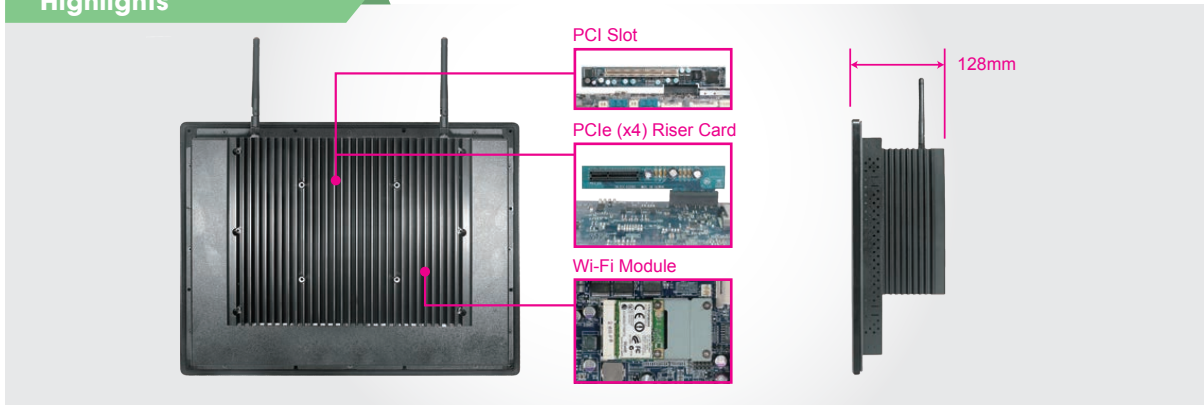
Display	1 x VGA
USB	4 x USB 3.0
Audio	1 x Line-out, 1 x MIC
LAN	LAN1: Intel® 82579LM 10/100/1000 LAN LAN2: Intel® 82583V 10/100/1000 LAN Supports Wake-On-LAN
Serial Ports	4 x COM ports COM1/3/4 for RS-232, COM2 for RS-232/422/485, pin-9 5V/12V/RI selectable
Parallel Port	1 x DSUB-25
Digital I/O	DSUB-25, 8 in / 8 out
Power	DC in 9~36V (DIN type 4p connector or 3-pin terminal block)
Expansion Slots	1 x PCIe (x4) or 1 x PCI (10W max./slot) (option)

Environment

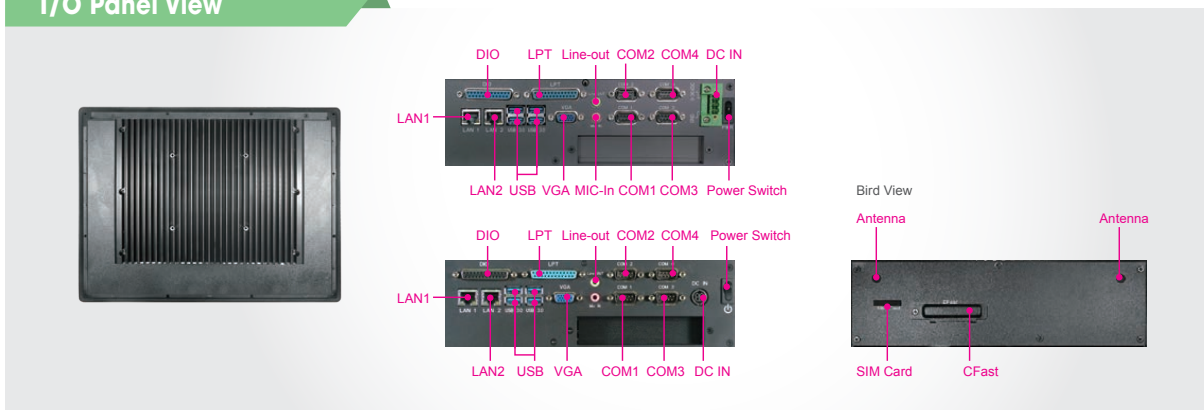
Operating Temp.	0°C~45°C (32°F~113°F) (w/HDD)
Ambient with air flow	Wide range temp. CFast: 0°C~55°C (32°F~131°F) (w/o audio)
Storage Temp.	-20°C~80°C (-4°F~176°F)
Humidity	20%~90%

IPC Panel PC

Highlights



I/O Panel View



Dimensions

