

IPC Panel PC

NEW



Features



- Intel® Celeron® J1900 and Atom™ E3845 processor on board
- 2 x LANs (10/100/1000 Mbps)
- 3 x USB 2.0 , 1 x USB 3.0
- HDD easy maintenance
- Front panel IP65 design
- Stainless steel front bezel
- Wide range voltage DC in (9~36V)
- Wide range temperature (with E3845)
- Supports 5-wire resistive touch screen or projected capacitive touch screen
- Supports high brightness LCD Sunlight readable (optional)
- Parallel Port (optional)

Specifications



System

CPU Type	Intel® E3845/J1900
Chipset	Intel® SoC
Memory Support	2 x 204-pin DDR3L SO-DIMM, support dual-channel DDR3L 1333/1600MHZ (system max. 8GB)
Watchdog	1~255 seconds watchdog timer selectable
Drive Bay	2 x 2.5" SATA II
Front Bezel	Stainless steel (SUS 304)
IP65	Yes (for front panel only)
Power Supply	DC in 9~36V
Operating System	Windows 7, Windows 10 IoT Ent LTSB 2016, Linux Ubuntu 14.04
Dimensions	436 x 368 x 102.55 mm (W x H x D)
System Weight	7.9 Kg
Mounting Support	Wall mount / VESA 75/100 / Panel mount
Certifications	FCC / CE

Display

LCD	17" TFT LCD (LED) resolution SXGA 1280 x 1024
Touch Screen	5-wire resistive touch screen or projected capacitive touch screen (USB interface)

Applications

- Automation
- Retail / Chain Store
- Food Service
- Information

I/O Ports

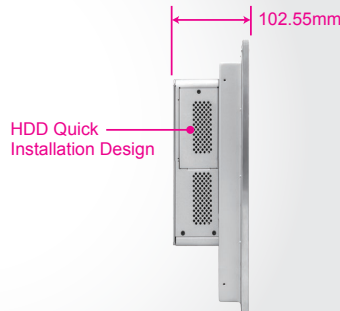
Display	1 x DVI-I (DVI-D+VGA)
USB	3 x USB 2.0 1 x USB 3.0
Audio	1 x Line-out / Line-in / MIC audio jack connector
LAN	2 x LANs (10/100/1000 Mbps)
Serial Ports	6 x COM port, COM 1/2/3/4 for RS-232 COM 5/6: support RS-232/422/485 (COM 3/4 support 5V/12V selectable)
Drive Bay	2 x 2.5" SATA II
Digital I/O	4 in / 4 out
Keyboard / Mouse	2 x PS/2 port
Expansion Slots	1 x Mini-PCIe slot 1 x PCIe (x1)

Environment

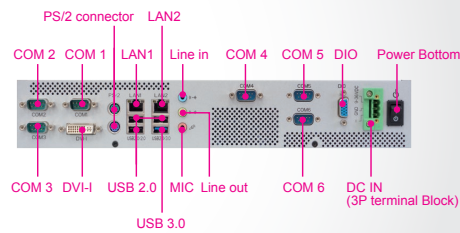
Operating Temp.	HDD: 0°C~40°C (32°F~104°F)
Ambient with air flow	Wide range temp storage and peripherals: 0°~55°C (32°~131°F) (With J1900) Wide range temp storage and peripherals: -20°~55°C (-4°~131°F) (With E3845)
Storage Temp.	-20°C~80°C (-4°F~176°F)
Humidity	20%~90%

IPC Panel PC

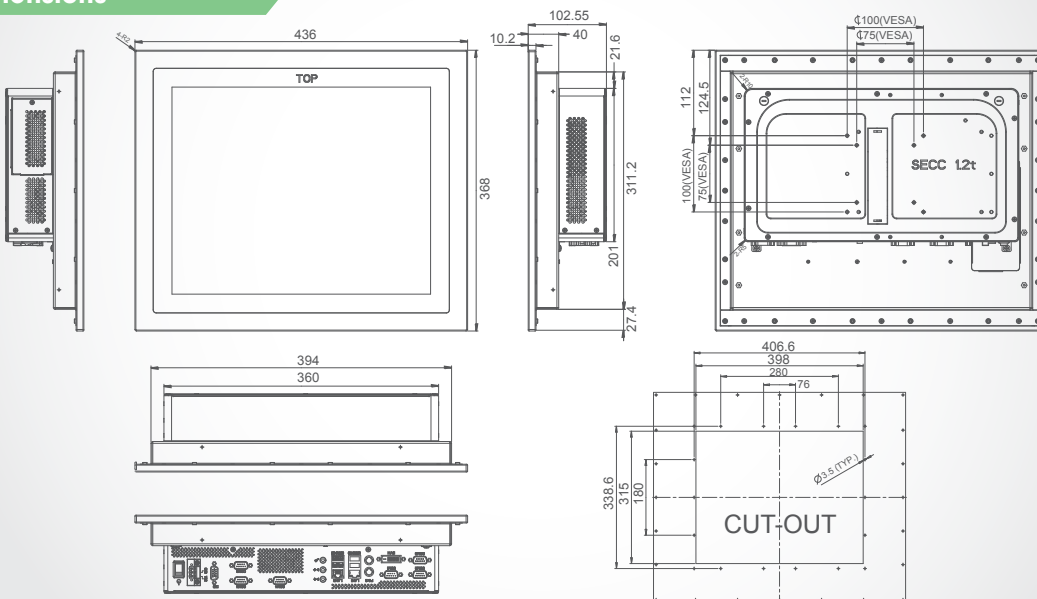
Highlights



I/O Panel View



Dimensions



unit: mm