

IPC Panel PC

NEW



Features



- Intel® Celeron® N3350 processor
- Slim and fanless design
- Aluminum die casting back cover
- 15.6" wide display and true flat touch screen
- HDD easy maintenance design
- Wall mountable VESA 75 x 75 / 100 x 100 standard
- Optional MSR

Specifications



System

CPU Type	Intel® Celeron® N3350 processor
Chipset	Intel® SoC
Memory Support	1 x SO-DIMM socket supporting 1600/1867 DDR3L memory up to 8G (non-ECC)
Front Bezel	Plastic
Power Input	DC in 12V/24V
Power Adapter	24V, 60W
Watchdog	1~255 seconds watchdog timer selectable
Operating System	Windows 10 IoT LTSC 2016, Ubuntu 16.04
Dimensions	391 x 250 x 48 mm (W x H x D)
System Weight	3.2 Kg
Mounting Support	Wall mount / VESA 75 / VESA 100 / Panel mount
Certifications	FCC / CE

Display

LCD	15.6" WXGA (resolution 1366 x 768) LCD panel
Touch Screen	Projective capacitive touch (USB interface)

Applications

- Automation
- Retail / Chain Store
- Information

I/O Ports

Power Input	4-pin DC power jack, supporting 12V/24V DC-IN
Power On/Off	1 x power on/off button on side bezel
USB	1 x USB 2.0 on side bezel 4 x USB 3.0
Audio	1 x Line-out, 1 x MIC
Serial Port	1 x COM port COM 1 for RS232
DIO	4 in/ 4 out
LAN	2 x GbE LANs supports Wake-On-LAN LAN 1: Intel® I210IT LAN 2: Intel® I210IT
Display	1 x HDMI
Drive Bay	1 x 2.5" SATAIII HDD
Expansion Slots	1 x full-sized mini PCIe slot (mini PCIe and USB signal)

Environment

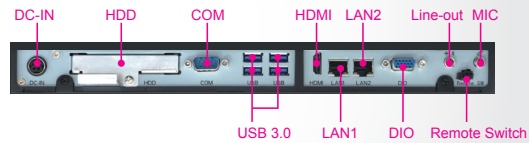
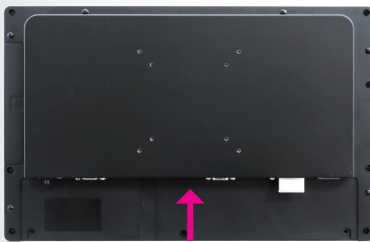
Operating Temp.	0°C~40°C (32°F~104°F)
Storage Temp.	-20°C~80°C (-4°F~176°F)
Humidity	20%~90%

IPC Panel PC

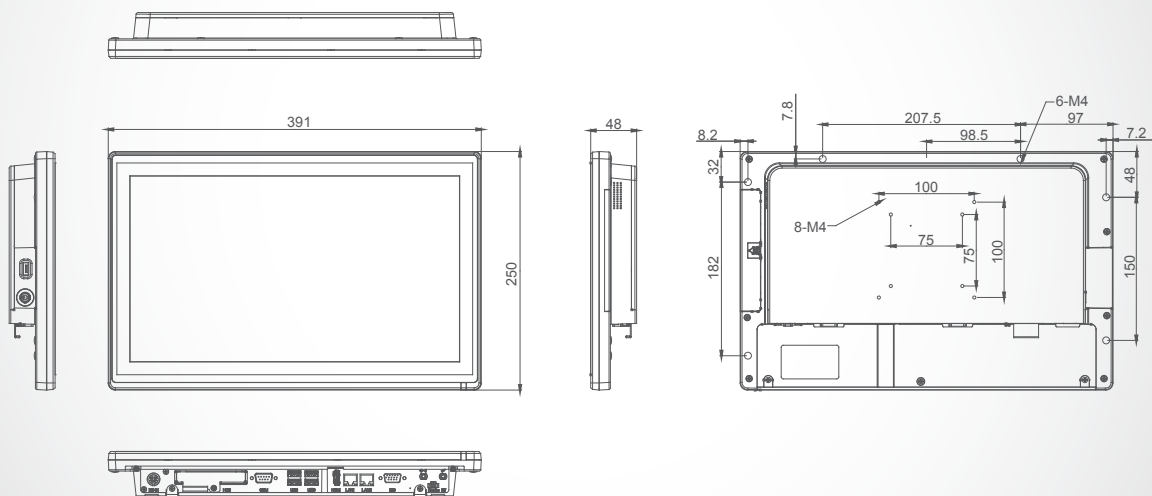
Highlights



I/O Panel View



Dimensions



unit: mm